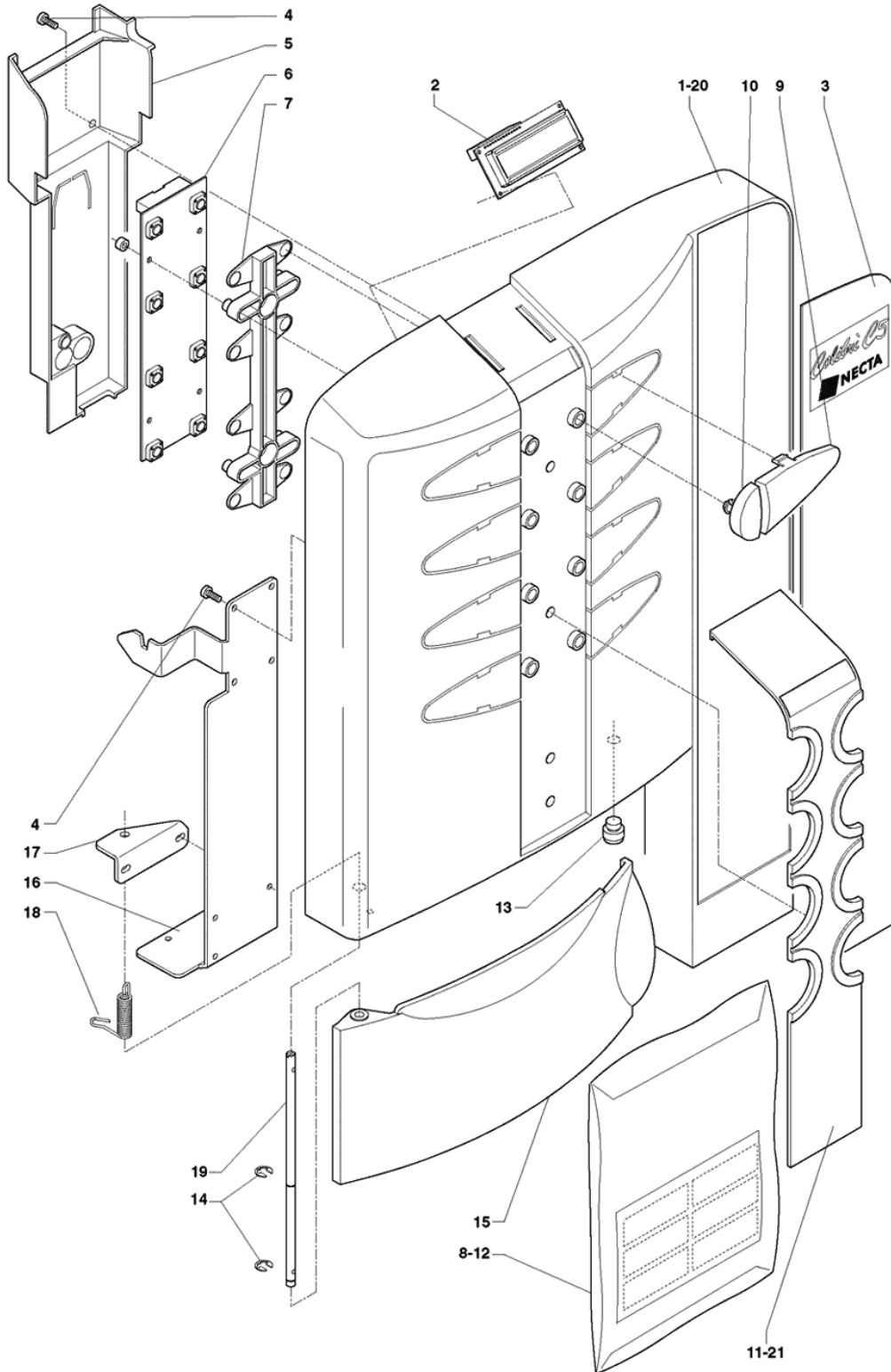
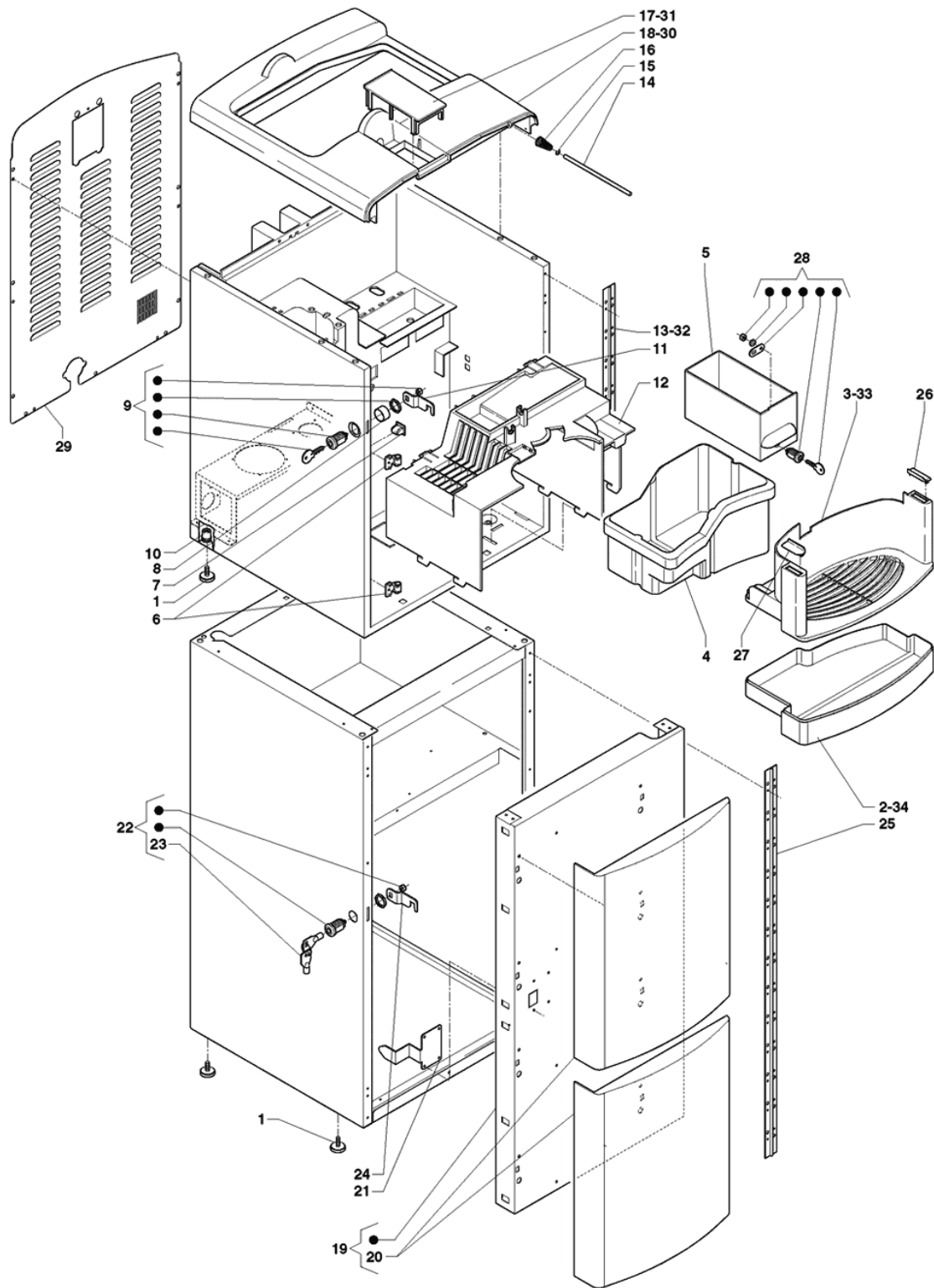


COLIBRI' 5 CONTENITORI - Z3000 - ESPRESSO - INSTANT - 220 VOLT - 50 HZ

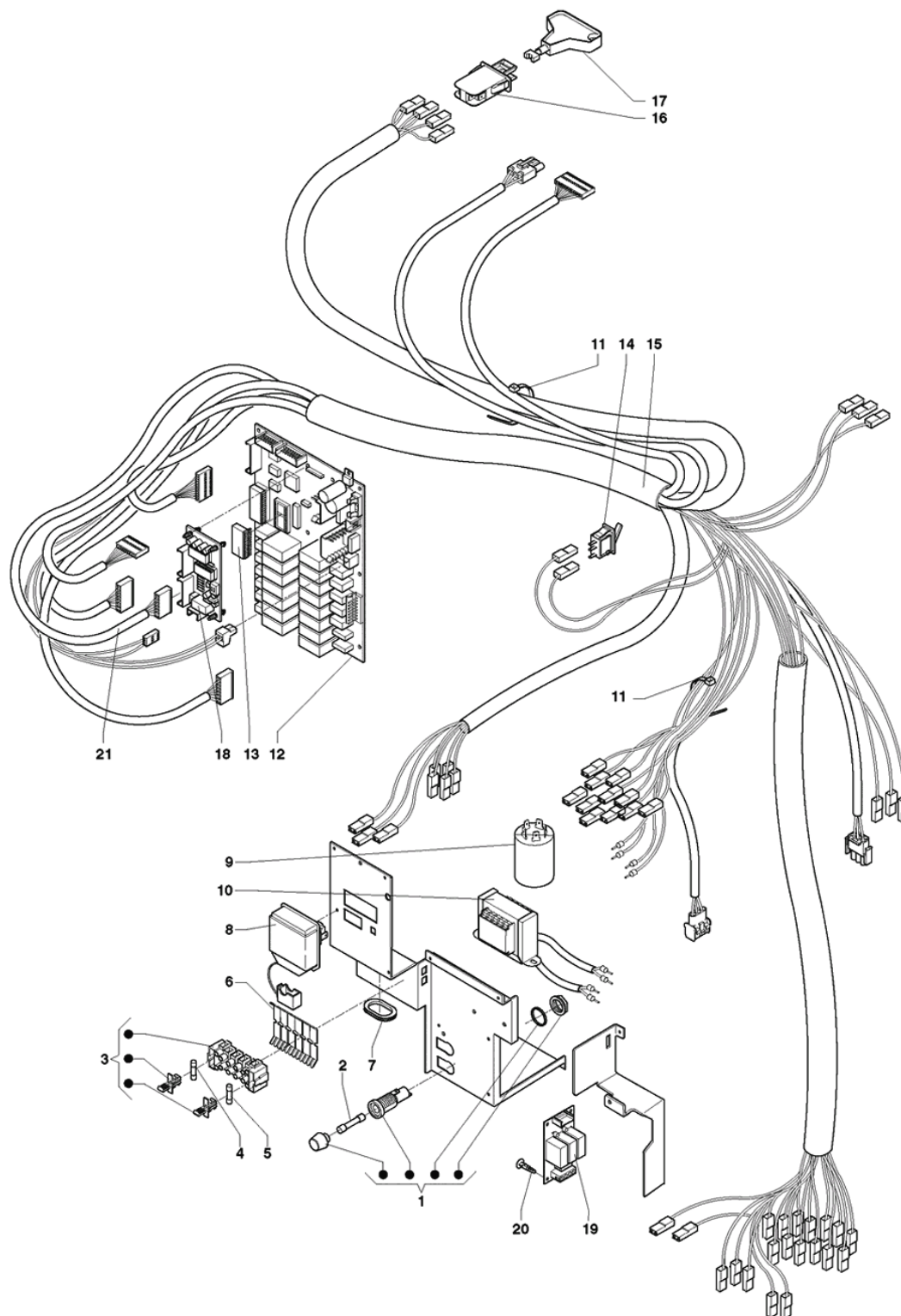




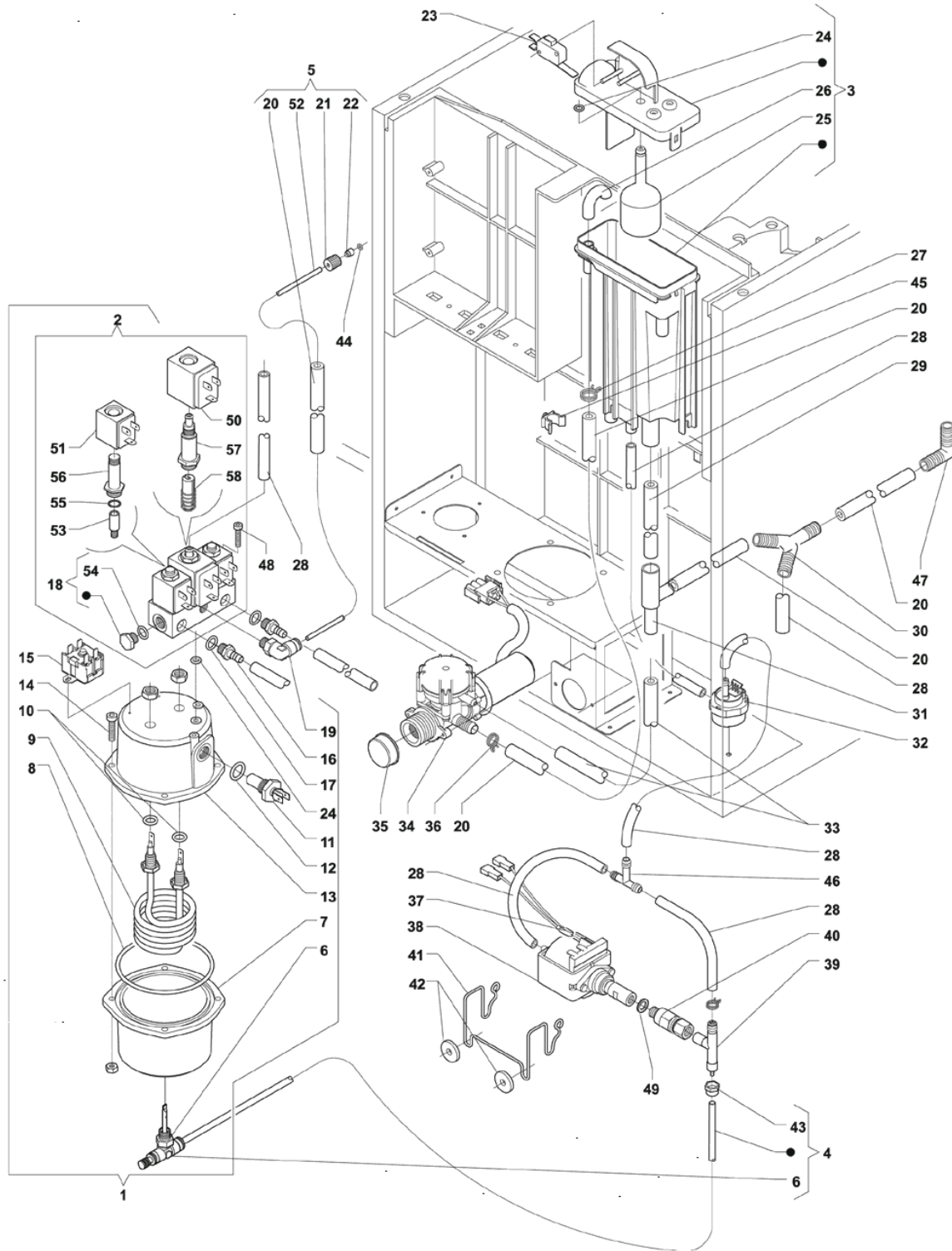
	Code	Description	Notes
1	0V2627	DOOR	
2	251656	DISPLAY 1X16 BLUE	
3	251682	PANEL FOR FRONT COIN-MECH.	
4	987612	EJOT-PT-SCREW 4X12	
5	0V2972	CARD COVER	
6	0V2535	INTERFACE CARD	
7	0V2534	BOARD SUPPORT	
8	251686	PRODUCT PLATE -SPAIN-	
9	0V2567	NAMEPLATE GLASS	
10	0V2539	SELECTION BUTTON	
11	0V2533	BADGE BUTTONS	
12	251683	PRODUCT PLATE-ITALY-	
13	0V2755	RUBBER PIECE	
14	091287	OUTER FIXING COLLAR	
15	0V2716	SLIDER	
16	0V2751	SLIDER SUPPORT	
17	0V2752	SLIDER GUIDE	
18	0V2753	SLIDER SPRING	
19	0V2754	SLIDER PIN	
20	0V2993	BLACK DOOR	
21	0V3355	BADGE BUTTONS -BLACK-	



	Code	Description	Notes
1	0V2566	FOOT	
2	0V2514	LIQUIDS TRAY	
3	0V2515	DISPENSING OPENING	
4	0V2513	COFFEE GROUNDS TRAY	
5	0V2563	COIN BOX	
6	0V2495	HINGE	
7	094026	FEMALE CLIP	
8	0V2496	LOCK SPACER	
9	099905	LOCK RIELDA	
10	250037	THREADED INSERT M6	
11	0V2497	LOCK-BOLT	
12	0V2564	DISPENSER VALVE COVERING	
13	0V2503	DOOR HINGE	
14	0V2500	CANISTER FASTENER PIN	
15	091287	OUTER FIXING COLLAR	
16	0V2501	STOP SPRING	
17	0V2502	TEMPLATE	
18	0V2499	UPPER PART FOR PIECE OF FURNITURE	
19	0V2571	DOOR CABINET	
20	0V2570	CAP FOR DOOR CABINET	
21	0V2537	BOLT HOOK	
22	098303	LOCK TYPE 'N'	
23	098463	PASSPARTOUT -ROUND LOCK-	
24	0V2569	BOLT HOOK	
25	0V2568	HINGE FOR DOOR CABINET	
26	0V2974	RIGHT STOP	
27	0V2973	LEFT DISPENSING OPENING STOP	
28	099319	LOCK	
29	0V3404	REAR COVER	
30	0V2977	CABINET TOP (BLACK)	
31	0V2981	MOLDING (BLACK)	
32	0V2995	DOOR HINGE (BLACK)	
33	0V2982	DISPENSING OPENING (BLACK)	
34	0V2980	LIQUID TRAY (BLACK)	

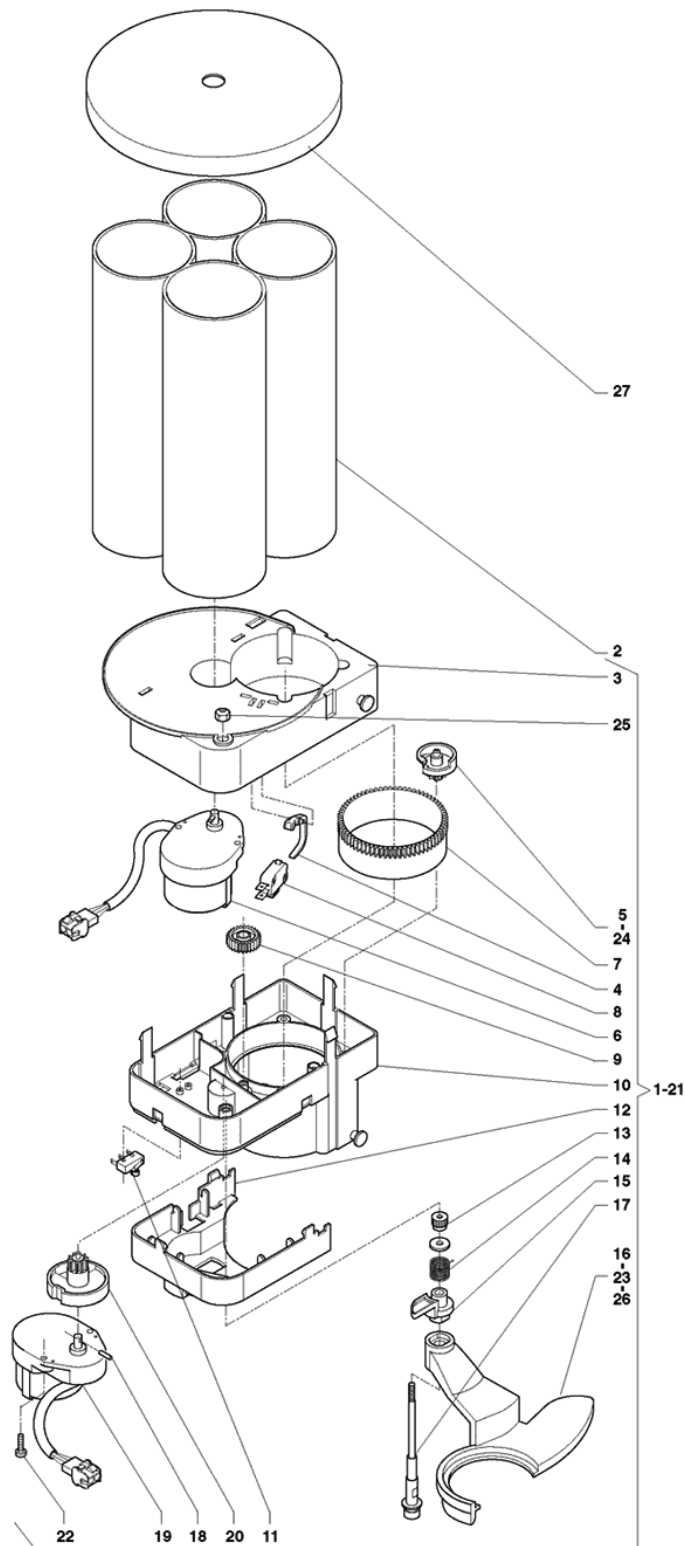


	Code	Description	Notes
1	098794	FUSE-HOLDER	
2	094907	QUICK FUSE 10A	
3	097241	3-POLE TERMINAL BOARD W/CARRIE	
4	097103	FUSE 1,25A 5X20 DELAYED ACTION	
5	097544	FUSE 125 MA DELAYED ACTION	
6	097242	SUB-TERMINAL BOARD	
7	090020	WHIPPING MM 16	
8	098796	PLUG FOR SUPPLY CORD	
9	0V3512	ELECTRICAL NET FILTER	
10	098792	TRANSFORMER	
11	090148	CLIP	
12	0V2505	OPERATING BOARD	
13	988372	EPROM 2048K (TO BE PROGRAMMED)	
14	0V2378	SWITCH	
15	251684	MAIN WIRING ASSEMBLY	
16	097796	SWITCH	
17	0V1654	SWITCH KEY	
18	0V2750	INTERFACE CARD	
19	0V2681	CARD 3 RELAY	
20	985085	CLIP FOR PRINTED CIRCUIT	
21	0V2652	EXECUTIVE PAYMENT SYSTEM WIRING	

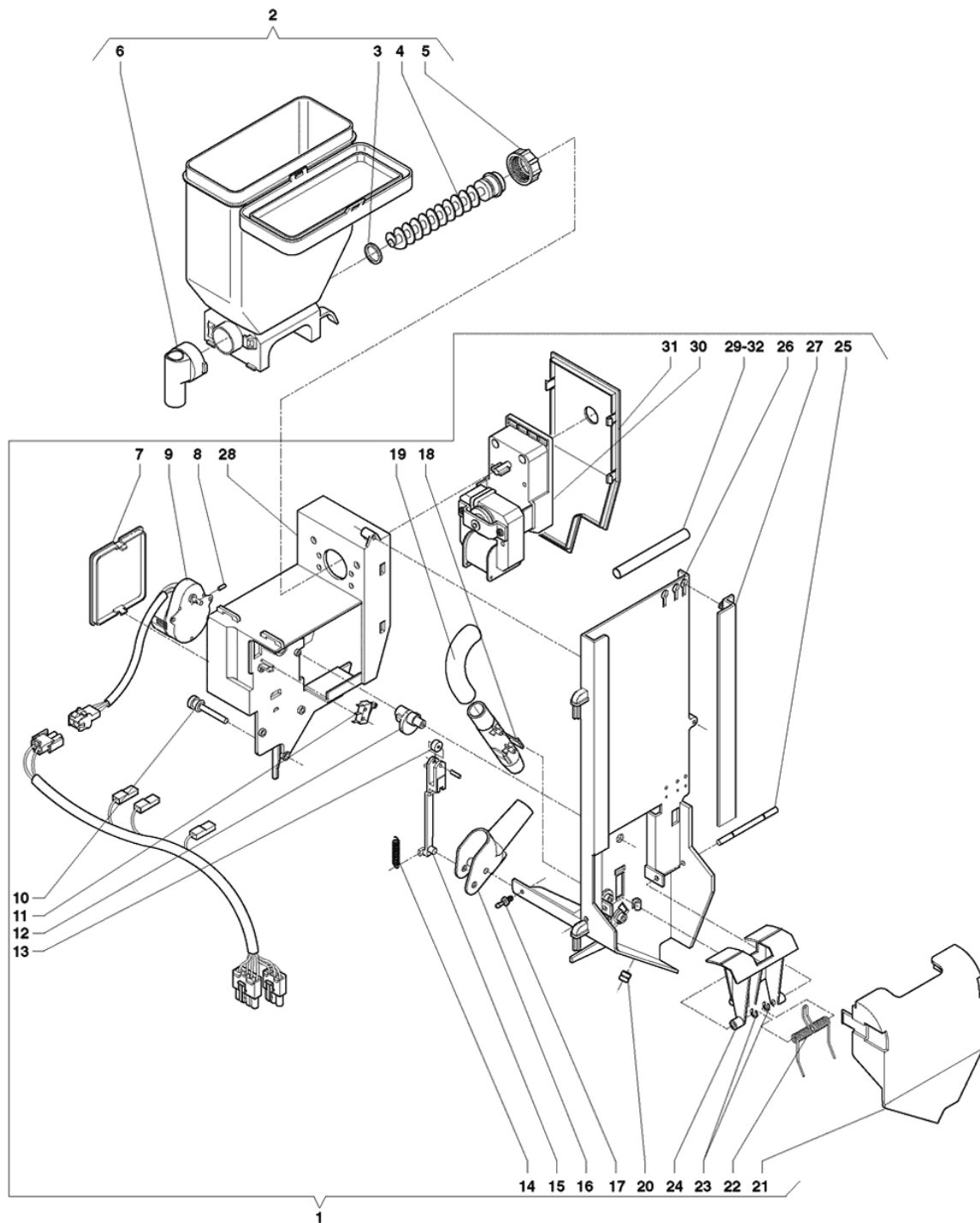


	Code	Description	Notes
1	0V2506	COFFEE BOILER ASSEMBLY 300 CC.	
2	098761	2+3+2 WAYS ELECTROVALVES GROUP	
3	0V1133	AIR-BREAK ASSEMBLY	
4	0V2511	PIPE PUMP/BOILER	
5	0V2512	PISTON-PIPE	
6	0V2507	UNION T-SHAPE 6X1/8 W/PLUG	
7	098641	LOWER BOILER-COVER	
8	098701	GASKET	
9	098645	HEATING-ELEMENT	
10	252684	O-RING 2043	
11	094872	BOILER TEMPERATURE PROBE	
12	095624	GASKET O-RING 119 EP851	
13	098640	UPPER BOILER-COVER	
14	0V2457	SCREW M5X20 TCEI	
15	0V1318	125 DEGR. THERMOSTAT	
16	095529	RUBBER HOLDER UNION 1/8' (BRASS)	
17	094594	GASKET O-RING	
18	0V1600	CAP WITH O-RING	
19	0V2509	UNION L-SHAPE 5X1/8	
20	097685	SILICONE HOSE BROWN 7,5X12	
21	098699	UNION FOR PISTON PIPE	
22	098711	BUSH PISTON PIPE	
23	0V1141	MICROSWITCH	
24	252538	O-RING 2025	
25	0V1126	AIR-BREAK FLOAT	
26	0V1749	WATER/AIR-BREAK CONNECTION	
27	097002	HOSE CLIP	
28	097510	SILICONE HOSE 5X9 BROWN	
29	097515	SILICONE HOSE 10X16 BROWN	
30	095513	UNION Y-SHAPE	
31	094185	CONDENSE RECOVERY UNION	
32	098707	VOLUMETRIC COUNTER	
33	097512	SILICONE HOSE 6X12 BROWN	
34	097383	ELECTROVALVE WATER-INLET 220V	
35	099815	STOPPER	
36	095515	HOSE CLIP DIAM 14	
37	098815	THERMIC PROTECTION	
38	098760	PUMP (VIBRATION)	
39	098764	BY-PASS PUMP	
40	099101	NO-RETURN VALVE	
41	0V2510	POMPE SUPPORT	
42	093091	PUMP DAMPER	
43	099107	NUT	
44	094611	GASKET O-RING	
45	098484	HOSE FIXING	
46	094231	UNION T-SHAPE	

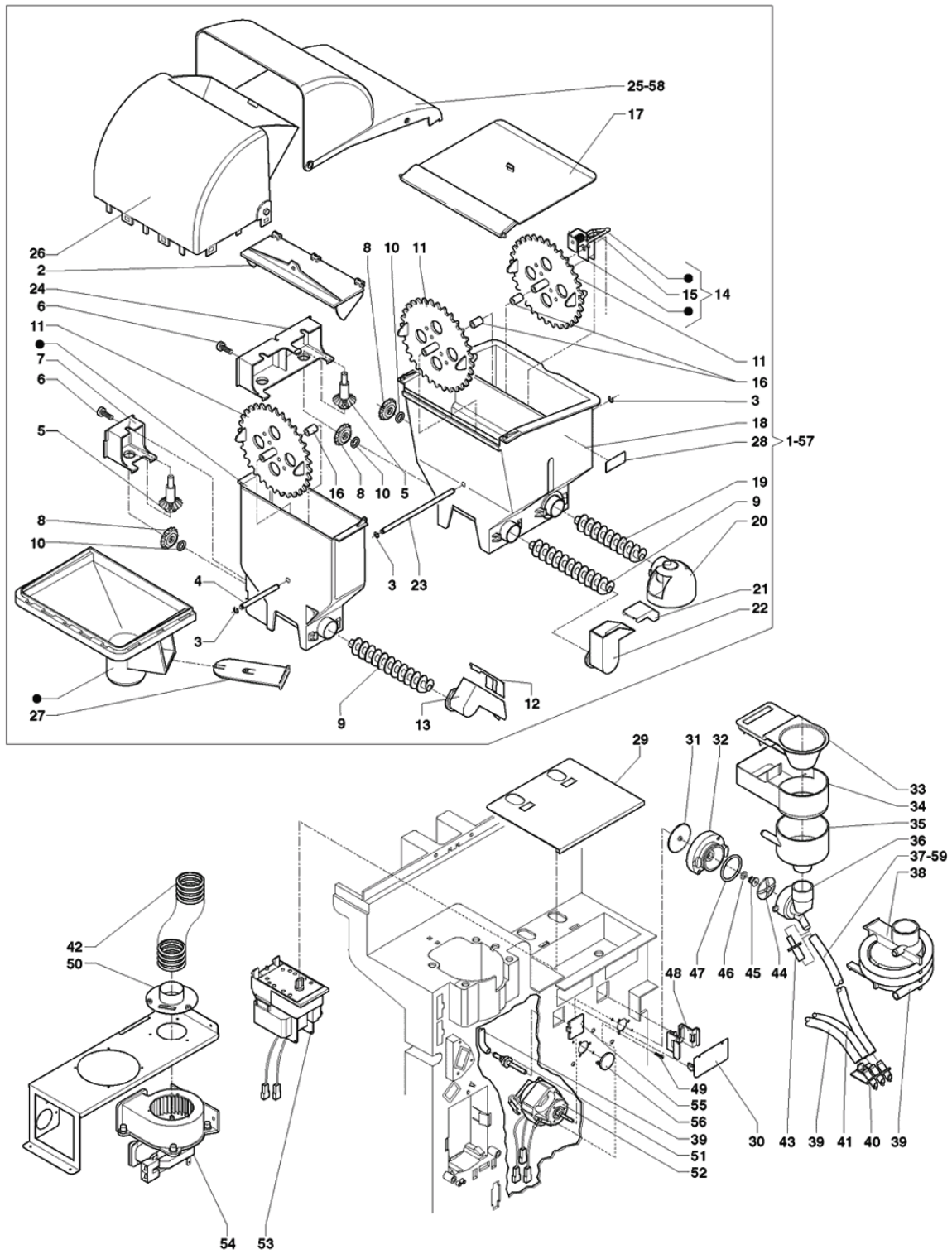
	Code	Description	Notes
47	094571	UNION 90 DEGREES	
48	250993	SCREW M4X25	
49	251143	ALUMINIUM WASHER	
50	099057	ELECTROV.-COIL 220/230 VOLT	
51	099056	INSTANTS COIL	
52	252659	TEFLON PIPE 2.5X5 (A METER)	
53	099058	NUCLEUS INSTANT-E.V.	
54	096553	GASKET O-RING	
55	099059	VALVE-BUSH-GASKET	
56	0V1953	INSTANT-ELECTROV. CONNECTION PIPE	
57	099105	COFFEE-ELECTROV. CONNECTION PIPE	
58	097472	3-WAY ELECTROVALVE NUCLEUS -VITON-	



	Code	Description	Notes
1	0V2540	CUP DISPENSER	
2	0V2552	CUP CONTAINER	
3	0V2547	UPPER SHELL	
4	0V2548	LEVER FOR MICROSWITCH	
5	098305	SCROLL DIAM.70/71	
6	0V2549	MOTOREDUCTOR 3 G/M	
7	098477	TOOTHED RING	
8	092439	MICRO TYPE 'CHERRY'	
9	0V2546	MIDDLE GEAR	
10	0V2541	LOWER SHELL	
11	096355	MICRO SWITCH	
12	0V2550	MOTOR COVERING	
13	093828	KNURL	
14	0V2543	LEVER SPRING	
15	0V2544	ARM	
16	0V2551	ARM FOR CUP 70/71	
17	0V2542	PIVOT FOR ARM	
18	096904	ELASTIC PLUG 1,5X8	
19	099397	MOTOR REDUCTOR 6G/1 MIN.	
20	0V2545	CAM	
21	0V2816	CUPS DISTRIBUTOR 73/74	
22	987628	EJOT-PT-SCREW 30X8	
23	0V2703	ARM FOR CUP 73/74	
24	0V1659	SNAIL W/DIAM. 73-74	
25	986614	NUT FLANGED	
26	0V2983	CUP ARM 70/71 (BLACK)	
27	0V2976	CUP CONTAINER COVER	

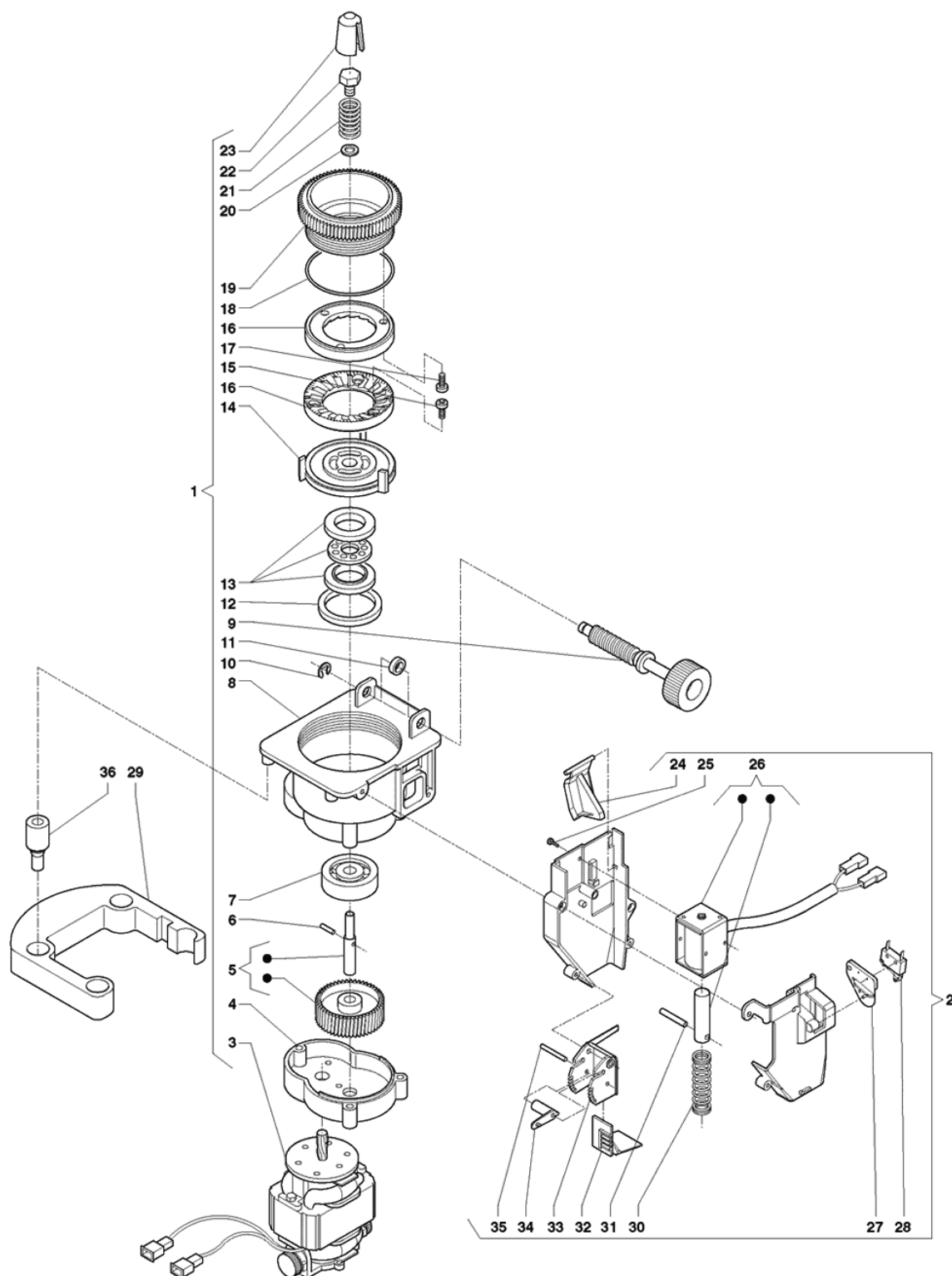


	Code	Description	Notes
1	0V2553	SUGAR-DISPENSER	
2	0V2561	SUGAR CONTAINER ASSEMBLY	
3	095829	GASKET O-RING	
4	0V2562	SCROLL	
5	095849	CONTAINER RING NUT	
6	098939	ROUND STRAIGHT PIPETTE	
7	099609	COVER	
8	096904	ELASTIC PLUG 1,5X8	
9	099397	MOTOR REDUCTOR 6G/1 MIN.	
10	0V2949	SUGAR SPOUT PIN	
11	096355	MICRO SWITCH	
12	099606	CAM	
13	099604	ROLLER	
14	099616	SPRING	
15	099605	ROD	
16	099721	SUGAR NOZZLE	
17	094159	FIXING PLUG	
18	0V2557	SUGAR PIPE	
19	098719	PVC PIPE 14X19(A METER)	
20	098853	PASS-WIRE	
21	0V2560	SLIDE LID	
22	099602	SPRING	
23	091959	BENZING COLLAR DIAM MM4	
24	099610	LEVER	
25	098352	STIRRING BARS EJECTING PIN	
26	0V2556	COLUMN RELEASING CASE	
27	0V2558	STIRRER ROD	
28	0V2554	MOTORS SUPPORT	
29	090203	STIRRER BAR WEIGHT L=95	
30	0V2555	MOTORDOSER 52 G/M	
31	0V2559	COVER	
32	099720	STIRRER BAR WEIGHT L=105	

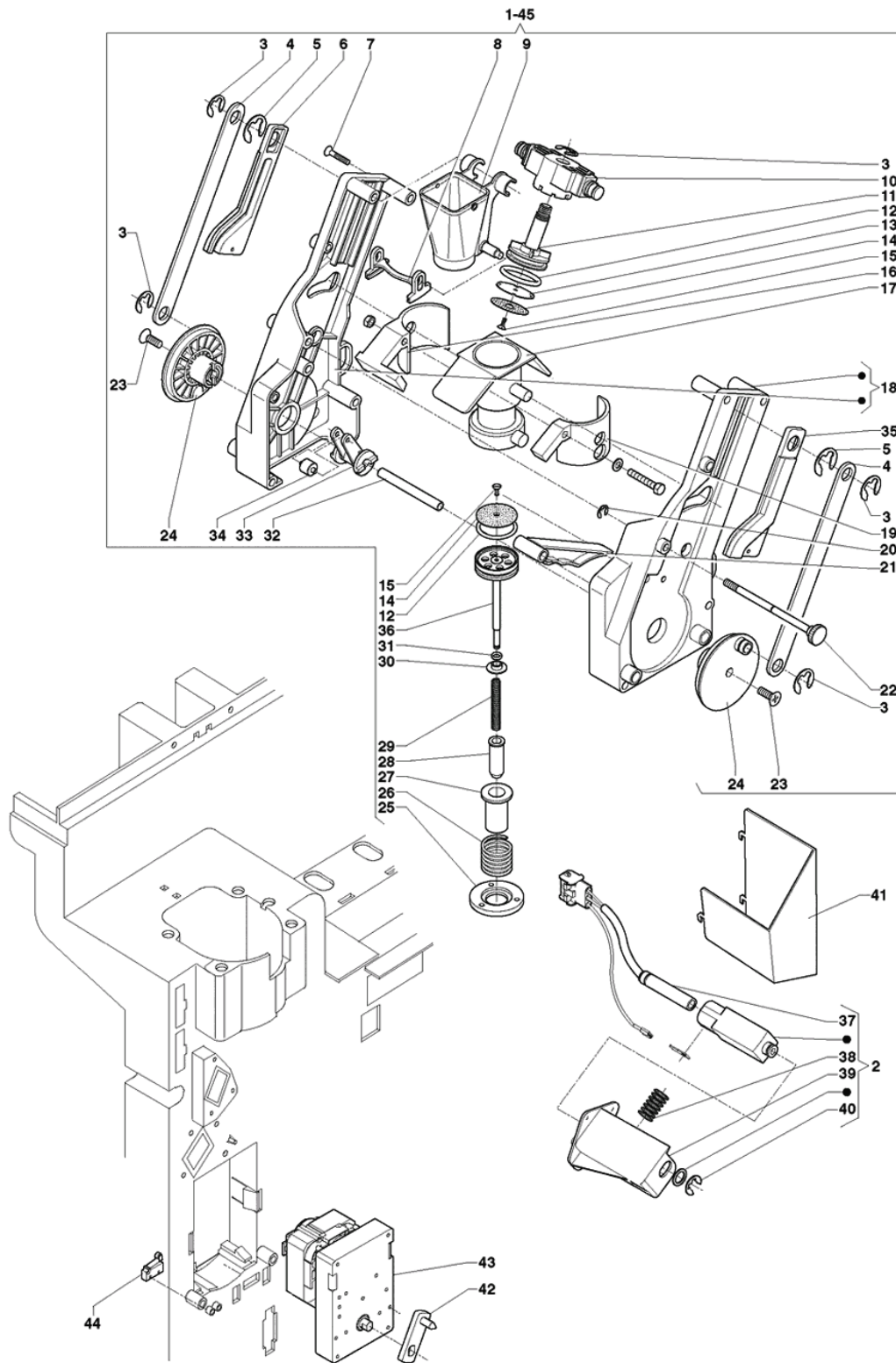


	Code	Description	Notes
1	251742	COMPLET CONTAINER ES+3IN-GREY-	
2	251675	LITTLE CONTAINER COVER	
3	091959	BENZING COLLAR DIAM MM4	
4	251680	PIN	
5	0V2527	PINION	
6	987612	EJOT-PT-SCREW 4X12	
7	251677	PINION SUPPORT	
8	0V2525	GEAR	
9	0V2524	LONG SCROLL	
10	093219	GASKET O-RING 109	
11	095936	WHEEL	
12	099803	COVER	
13	251565	POWDER RIGHT CONVEYOR	
14	099494	CANISTER-BEATER	
15	099442	SPRING	
16	0V2529	SPACER	
17	251674	CONTAINER COVER	
18	251258	CONTAINER FOR INSTANT PRODUCTS	
19	0V2523	SHORT SCROLL	
20	0V1536	ROUND SPHERICAL CONTAINER OPENING	
21	0V2076	CONVEYOR COVER	
22	0V2070	RH POWDER FEEDER	
23	0V2528	PIN FOR WHEEL	
24	0V2526	PINION SUPPORT	
25	0V2532	COFFEE CONTAINER LID	
26	251676	COFFEE CHAMBER	
27	098630	ROLL-UP FOR CONTAINER	
28	097502	NAMEPLATE GROUP CONTAINER INSTANT P	
29	0V3599	SPACE COVERING	
30	0V3724	BRACKET COVER	
31	099889	DISK	
32	097911	FLANGE FOR MIXER	
33	0V1534	DRAWER COVER	
34	0V1537	SUCTION DRAWER	
35	0V1535	WATER FUNNEL	
36	0V2519	CONVEYOR FOR MIXER	
37	097685	SILICONE HOSE BROWN 7,5X12	
38	0V2702	COIL SUPPORT FOR TEA	
39	097510	SILICONE HOSE 5X9 BROWN	
40	0V2516	DISPENSE NOZZLE ASSEMBLY	
41	097511	SILICONE HOSE 6X9 BROWN	
42	251688	PIPE D.20 (A METER)	
43	097914	COFFEE CHOKE	
44	097916	MIXER VENTILATOR	
45	097917	BUSH SEAL	
46	099880	GASKET	

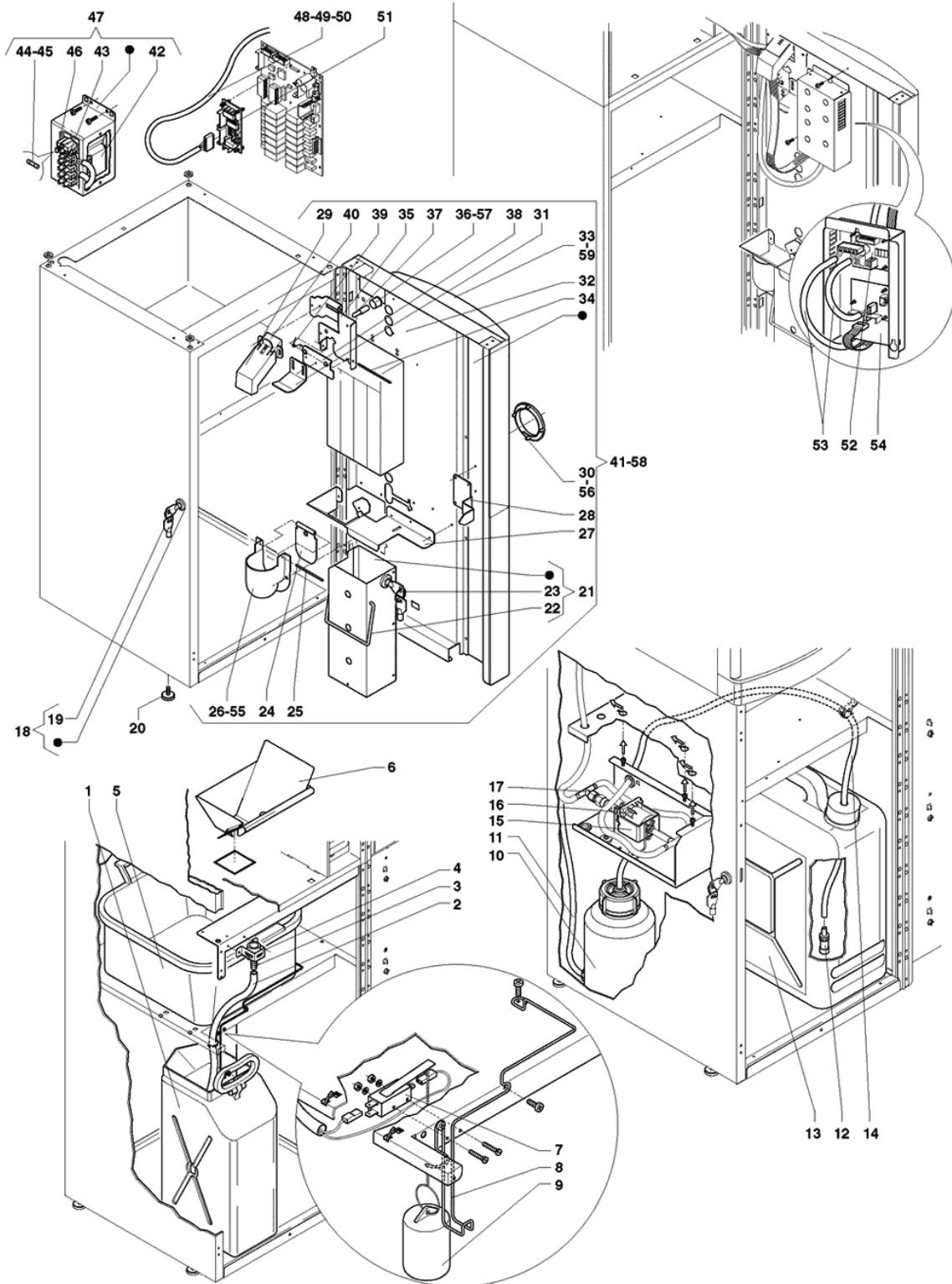
	Code	Description	Notes
47	094540	GASKET O-RING 3125	
48	0V2518	NOZZLE SUPPORT	
49	099773	SCREW	
50	251678	COOLING-FAN FLANGE D.29	
51	099329	FUNNEL NOZZLE D. 3.4	
52	098808	MOTORMIXER	
53	0V2517	MOTORDOSER 78 G/M	
54	098583	ELECTROVENTILATOR	
55	251673	NOZZLE COVERING	
56	0V3716	MIXER PLUG	
57	251747	COMPLET CONTAINER ES+3IN-BLACK	
58	0V3312	COFFEE CANISTER COVERING -BLACK	
59	097512	SILICONE HOSE 6X12 BROWN	



	Code	Description	Notes
1	099336	GRINDER	
2	099337	COFFEE DOSER	
3	099732	GRINDER MOTOR	
4	099468	SUPPORT	
5	099470	SHAFT WHEEL	
6	098293	ELASTIC PLUG	
7	095803	RADIAL BEARING	
8	099469	CAP	
9	099474	REGULATION SCREW	
10	093171	OUTER FIXING COLLAR DIAM MM6	
11	099457	WASHER	
12	093271	COFFEE JUNK RING	
13	093187	THRUST BEARING	
14	095802	GRINDER HOLDER IMPELLER	
15	095809	SELF-THREADING SCREW (M4)	
16	095840	GRINDER	
17	097879	NICKELPLATED SCREW	
18	095805	GASKET O-RING	
19	099473	GRINDER HOLDER	
20	096988	WASHER	
21	099471	SPRING	
22	099472	LEFT SCREW	
23	0V2520	SCREW PROTECTION	
24	099475	ACTUATOR	
25	092657	CLOSS SLOT SCREW 3X6TC	
26	098716	ELECTROMAGNET 220V	
27	0V2082	ADAPTER PLATE	
28	0V2131	BURGESS MICRO-SWITCH	
29	0V2628	INSULATOR	
30	098696	SPRING DOSER ELECTROMAGNET	
31	093832	ROD PIVOT	
32	098643	RULE COFFEE-DOSES	
33	098642	SHUTTER COFFEE-DOSER	
34	098644	LEVER FOR RULE	
35	098822	PIN FOR LEVER	
36	099484	LITTLE RUBBER	

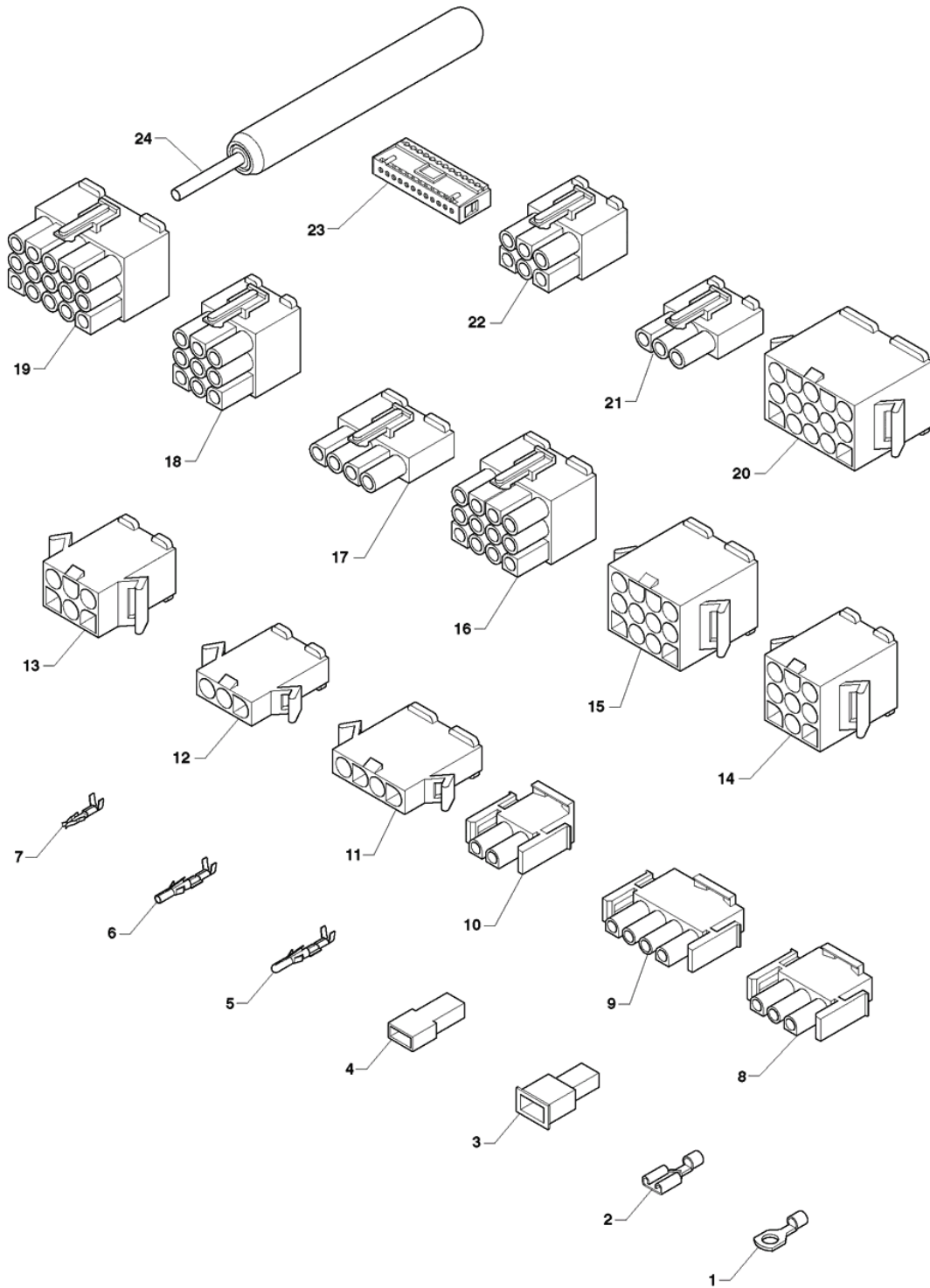


	Code	Description	Notes
1	251492	Z3000 COFFEE UNIT WITH HEATER	
2	0V1783	Z2000M HEATER WITH SUPPORT	
3	092717	FIXING COLLAR DIAM MM10	
4	098565	TRACE FOR PISTON COMMAND	
5	096569	FIXING COLLAR DIAM 12	
6	098571	REAR SLEDGE	
7	250290	SCREW 4,2X26	
8	251740	COFFEE SCRAPER	
9	251739	Z3000 COFFEE CHUTE	
10	098568	CROSS-BAR	
11	098577	UPPER PISTON	
12	093167	SILICONE GASKET OR 4118 .	
13	0V1789	WATER DEFLECTOR	
14	098687	COFFEE FILTER	
15	251235	STEEL SCREW M3X10MM	
16	251486	Z3000 REAR PANEL	
17	0V1715	BREWING CHAMBER W/PLUG	
18	251101	RH-LH SUPPORT	
19	0V1784	FRONT PANEL	
20	098818	STOPPING RING D.4	
21	098575	OSCILLATING LEVER	
22	252020	TIEROD WITH KNURLED NUT	
23	0V3889	SCREW 6X14	
24	098573	CRANK	
25	098569	FLANGE FOR SPRING	
26	098689	PREINFUSION SPRING	
27	098567	LID FOR SPRING	
28	098691	LOWER PISTON GUIDE	
29	098688	PISTON RETURN SPRING	
30	098690	CONTROL BUSH	
31	090421	GASKET	
32	098693	ROD CRANK BLOCKING	
33	098574	ROTATING LEVER	
34	098692	ROTATING LEVER ROLL	
35	098572	FRONT SLEDGE	
36	099490	LOWER PISTON	
37	0V1786	25 WATT 110/265 V RESISTOR	
38	0V1788	CONTACT SPRING	
39	0V1787	SUPPORT	
40	987948	LOCKING WASHER	
41	251679	COFFEE-GROUP CHUTE	
42	098763	CRANK WITH PIN	
43	098708	MOTOREDUCER	
44	096355	MICRO SWITCH	
45	251687	COFFEE-GROUP Z3000	



	Code	Description	Notes
1	0V2656	LIQUID WASTE COLLECTION CONTAINER	
2	098800	TRANSPARENT HOSE (PER METER)	
3	099642	RUBBER HOLDER	
4	0V2641	RUBBER HOLDER SUPPORT	
5	0V2648	10 LITER TRAY	
6	0V2655	LIQUID WASTE DUCT	
7	093308	MICROSWITCH SERIE RLL/D	
8	0V2645	LIQUID WASTE CONTAINER STOP	
9	094294	FLOAT	
10	093096	DEPURATOR COMPLETE	
11	097685	SILICONE HOSE BROWN 7,5X12	
12	091536	BOTTOM VALVE	
13	099523	WATER CANISTER 20L	
14	097512	SILICONE HOSE 6X12 BROWN	
15	098760	PUMP (VIBRATION)	
16	0V2653	SELF-FEEDING PUMP WIRING	
17	099528	BY-PASS PUMP (2 BAR)	
18	098303	LOCK TYPE 'N'	
19	098463	PASSPARTOUT -ROUND LOCK-	
20	0V2566	FOOT	
21	0V2658	COIN BOX	
22	0V2644	COINBOX HANDLE	
23	099319	LOCK	
24	093890	MONEY RETURN SHUTTER	
25	0V0983	SLIDER PIN	
26	0V2649	COIN RETURN DUCT	
27	0V2638	COIN BOX CHUTE COVER	
28	0V2537	BOLT HOOK	
29	0V2084	LOWER COIN SLOT CHUTE	
30	0V2073	DARK GREY COIN RETURN FRAME	
31	0V2643	COIN RETURN DEV. THRUST LEVER	
32	0V2640	COIN MECH SUPPORT	
33	0V2570	CAP FOR DOOR CABINET	
34	0V2646	COIN RETURN DEVICE PIN	
35	0V2639	COIN RETURN CHUTE SUPPORT	
36	0V2071	COIN RETURN BUTTON	
37	0V2647	COIN RETURN LEVER ACTUATOR	
38	0V2642	COIN RETURN CONTROL LEVER	
39	099356	SPRING FOR CHANGE	
40	099357	UPPER SLIDE	
41	0V2659	PAYMENT SYSTEM DOOR	
42	095708	TRANSFORMER 220/24/28V 50W	
43	097241	3-POLE TERMINAL BOARD W/CARRIE	
44	097097	FUSE 2 AMP.5X20 DELAYED ACT	
45	096638	FUSE 5X20 200MA	
46	097242	SUB-TERMINAL BOARD	

	Code	Description	Notes
47	0V3831	ELECTRICAL PANEL	
48	0V2652	EXECUTIVE PAYMENT SYSTEM WIRING	
49	0V2651	MDB PAYMENT SYSTEM WIRING	
50	0V2650	BDV PAYMENT SYSTEM WIRING	
51	0V2750	INTERFACE CARD	
52	098943	STABILIZER BOARD 24V	
53	0V2654	24 VOLT VALIDATOR WIRING	
54	098936	COIN-MECH.-BOARD EXECUTIVE	
55	0V2649	COIN RETURN DUCT	
56	0V2988	COIN RETURN MOLDING (BLACK)	
57	0V2989	MONEY RETURN BUTTON (BLACK)	
58	0V3001	DOOR FOR PAYMENT SYSTEMS (BLACK)	
59	0V2984	CABINET DOOR TOP (BLACK)	



	Code	Description	Notes
1	090957	EYELET TERMINAL	
2	090959	FASTON W/O TONGUE	
3	091192	FASTON COVER	
4	090247	FEMALE FASTON COVER	
5	095955	TERMINAL MALE	
6	096136	TERMINAL FEMALE	
7	094405	TERMINAL FEMALE 2,5	
8	094954	FEMALE HOLDER CONNECTOR 3-WAYS	
9	098062	4-WAY CONNECTOR MATE-N-LOK AMP	
10	094955	FEMALE HOLDER CONNECTOR 2-WAYS	
11	0V0809	4-PIN CONNECTOR/P MOLEX 3191	
12	0V0808	3-PIN CONNECTOR/P MOLEX 3191	
13	0V0810	6-PIN CONNECTOR/P MOLEX 3191	
14	0V0811	9-PIN CONNECTOR/P MOLEX 3191	
15	0V0812	12-PIN CONNECTOR/P MOLEX 3191	
16	0V0818	12-PIN CONNECTOR/P MOLEX 3191	
17	0V0815	4-PIN CONNECTOR/P MOLEX 3191	
18	0V0817	9-PIN CONNECTOR/P MOLEX 3191	
19	0V0819	15-PIN CONNECTOR/P MOLEX 3191	
20	0V0813	15-PIN CONNECTOR/P MOLEX 3191	
21	0V0814	3-PIN CONNECTOR/P MOLEX 3191	
22	0V0816	6-PIN CONNECTOR/P MOLEX 3191	
23	094961	FEMALE HOLDER CONNECTOR P.I. 12-W	
24	0V0820	MOLEX CONTACT PULLER	